

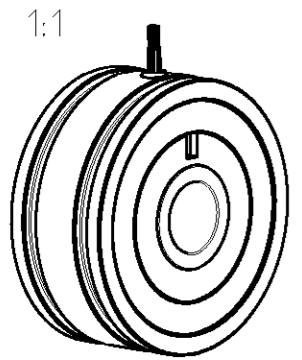
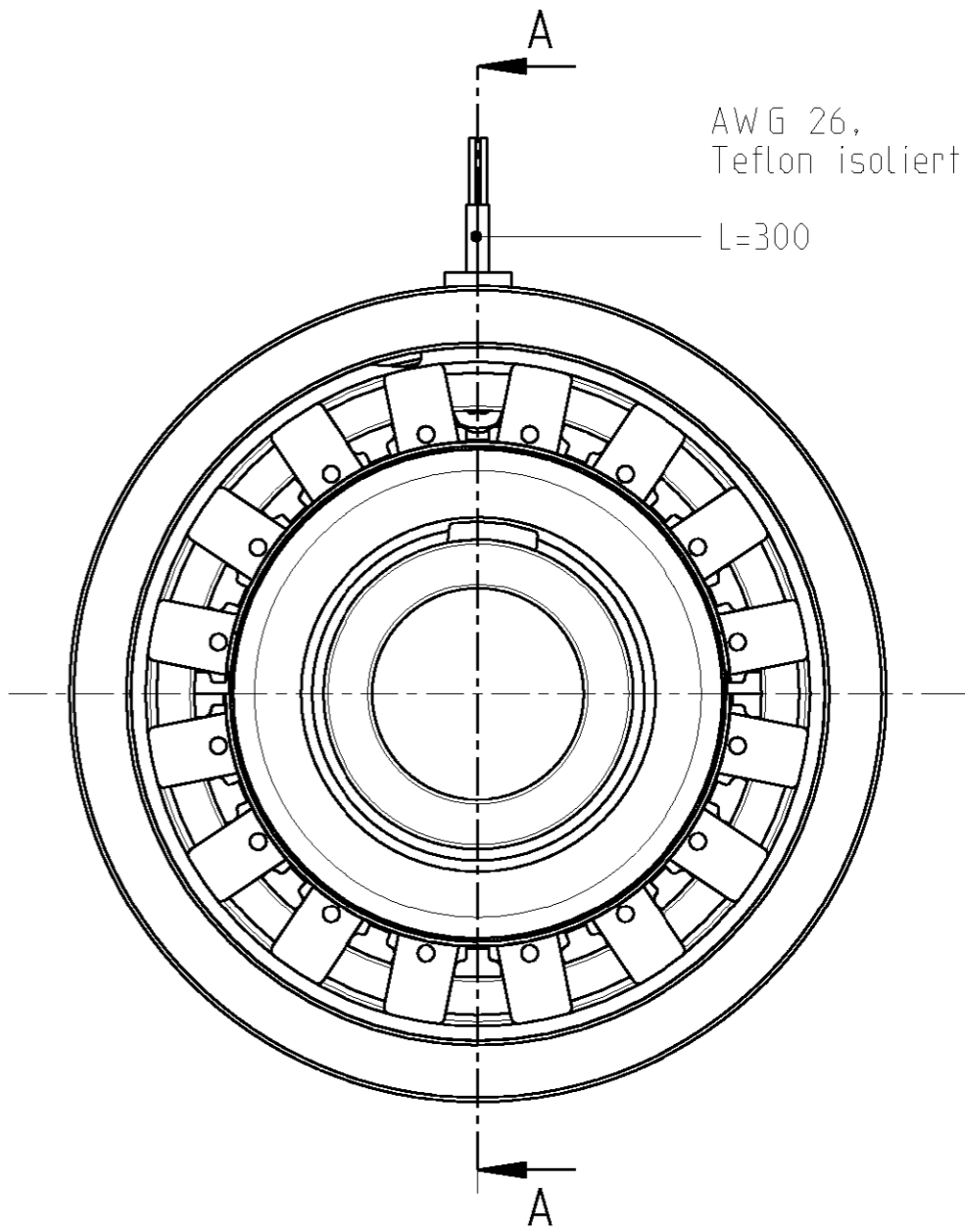
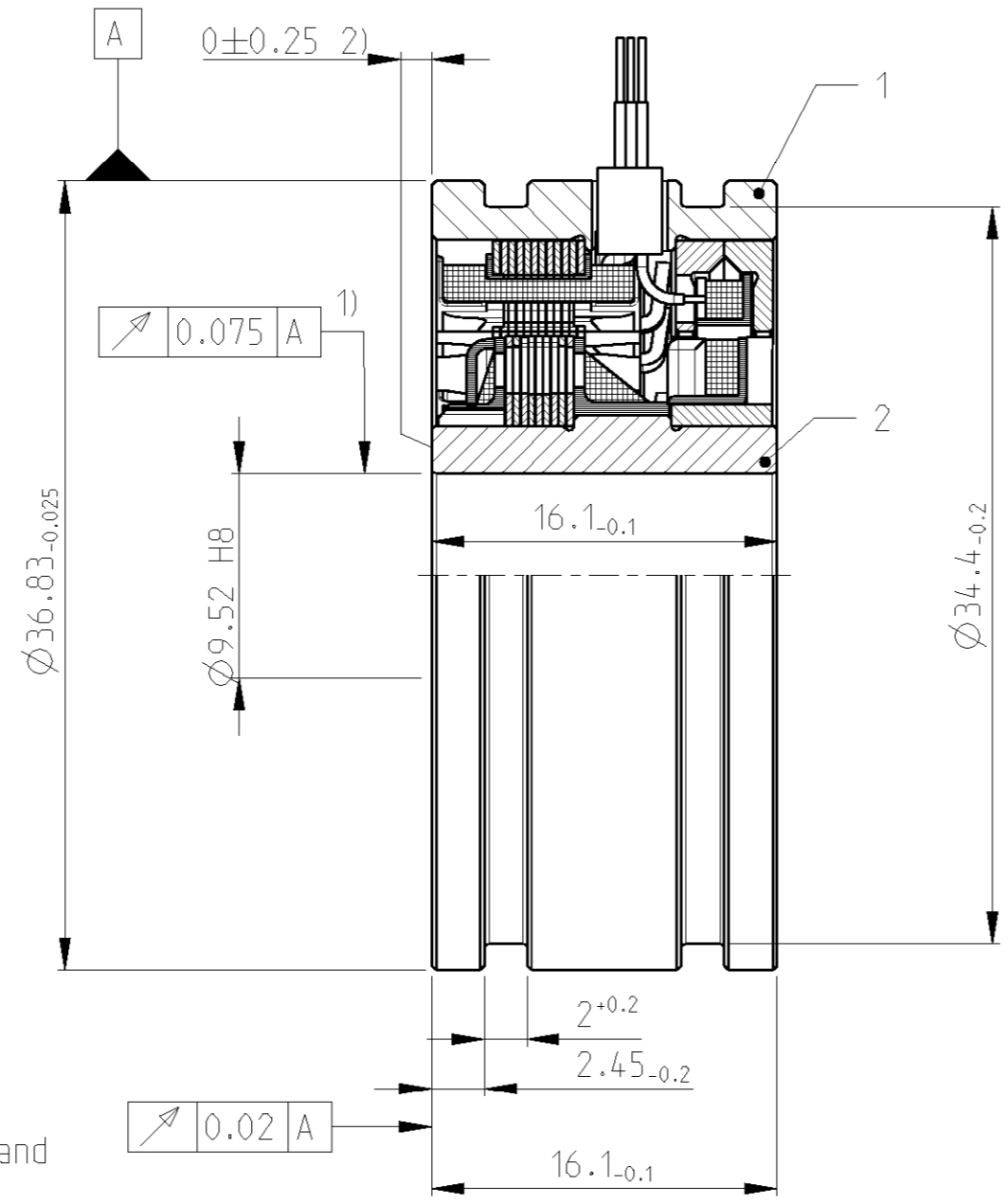
THIS DRAWING IS UNPUBLISHED. RELEASED FOR PUBLICATION 2005  
 © COPYRIGHT 2005 BY TYCO ELECTRONICS CORPORATION. ALL RIGHTS RESERVED.

LOC	DIST	REVISIONS			
P	LTR	DESCRIPTION	DATE	DWN	APVD
A1	-	New Drawing	05DEZ2005	Kr	An
C1	-	ECR-06-011981	18MAY2006	Kr	An

Signal	Aderfarbe
S1	rot
S2	gelb
S3	schwarz
S4	blau
R1	rot-weiss
R2	gelb-weiss

9.52 H8 +0.022  
0

A-A



1) Gesamtschlag im eingebauten Zustand  
 2) Axialversatz

Ersetzt / replace V23401-D1001-B101

ITEM NO	PARTNUMBER	DESCRIPTION	QUANTITY
1	1-1824833-0	Rotor kpl. / Bauform B1 (12N)	2
1	1-1824762-0	Gehäuse kpl. / Bauform D1	1
REVISION OF EACH ASSY NO. (WHEN BLANK, USE DWG. REVISION)			
PARTS LIST			

DIMENSIONS:		TOLERANCES UNLESS OTHERWISE SPECIFIED:	
mm			
	0 PLC	±	
	1 PLC	±	
	2 PLC	±	
	3 PLC	±	
	4 PLC	±	
	ANGLES		±1°
MATERIAL		FINISH	

DWN	Kraus	24NOV2005		tyco Electronics AMP GmbH
CHK	-	-		D - 67346 Speyer
APVD	Andrae	05DEZ2005	NAME	Massbild Hohlwellendrehmelder Gr.15
PRODUCT SPEC	-	-		Dimensional Drawing Resolver Sz.15
APPLICATION SPEC	-	-		V23401-D1001-B101
WEIGHT	-	-	SIZE	A3
			CAGE CODE	00779
			DRAWING NO	C=1393047-1
CUSTOMER DRAWING			SCALE	3:1
			SHEET	1 of 1
			REV	C1